

XA5 Tech-Note

Outdoor HMI 5" Capacitive Touchscreen, sunlight-readable with optical bonding

- 5" TFT color display, resolution 800x480 pixel
- Projected capacitive touchscreen with optical bonding
- Multitouch operation
- Protection grade IP66/IP67 all-around
- Operating Temperature -30°C to +70°C
- Wi-Fi connection
- 2 Ethernet ports
- 2 CAN FD ports
- Environment light sensor
- Standby mode with low power consumption. Wake-up with CAN message
- Plug-in module for system expansion



Highlights

XA5 is a rugged HMI designed for outdoor applications where robust and flexible instrumentation is needed. Its compact design features IP66/IP67 protection all around and it is suitable for arm-mounted or flush installations. The projected capacitive touchscreen and the brilliant 5" display with optical bonding guarantee great optical performance and sunlight readability.

Advanced power management and software optimization allow fast boot times and control of standby/wake up conditions in accordance with user settings.

Low-power consumption in standby mode is a key feature in battery-operated applications. The robust environmental ratings and the extensive range of interfaces make this products an optimal choice for harsh environments such as outdoor and marine.

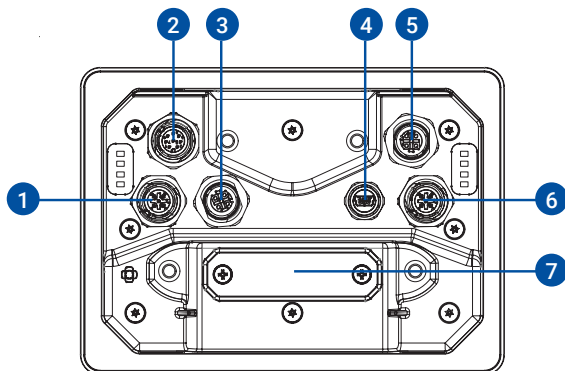
- Programmable with JMobile software
- Optional CODESYS PLC
- Optional Corvina Platform connectivity

XA5 - Technical Data

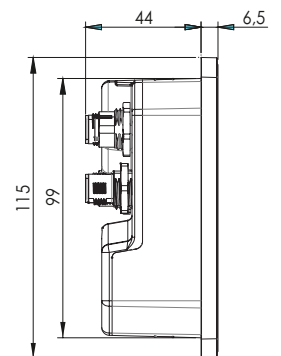
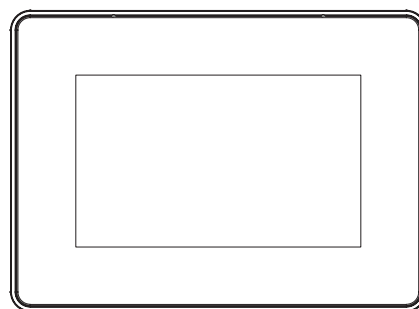
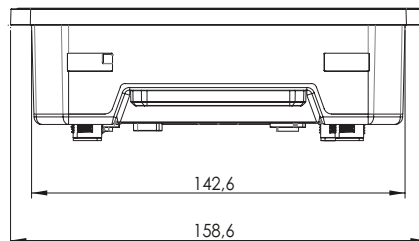


System Resources	
Display - Colors	5" TFT - 64K
Resolution	800x480
Brightness	500 Cd/m ² typ.
Dimming	Yes - down to 0%
Touchscreen	Projected Capacitive, Multitouch, Optical Bonding
CPU	32-BIT RISC Dual Core 650 MHz
Operating System	Linux RT
Flash	8 GB
RAM	1 GB
FRAM	64 KB
Real Time Clock, RTC Back-up	Yes, rechargeable battery
Interface	
Ethernet port	2 ports 10/100 Mbit/s
CAN port	2, FD, isolated, up to 1 Mbit/s
USB port	1 Host v. 2.0 500mA
Serial port	RS-485, isolated
Digital Output	1 SSR NO 60V 0.5A
Wi-Fi	IEEE 802.11a/b/g
Sensors	Temperature, 3-Axis Accelerometer, Environment Light
Buzzer	Yes
Expansion	1 slot for plug-in modules
Ratings	
Power supply	24 Vdc (10 to 32 Vdc)
Power consumption	1.4 A at 24 Vdc (max.)
Power management key	Yes
Environment Conditions	
Operating Temperature	-30°C to +70°C
Storage Temperature	-40°C to +85°C
Operating / Storage Humidity	5-85% RH, non condensing
Protection Class	IP66/IP67
Dimensions and Weights	
Faceplate LxH	158.6x115 mm (6.24"x4.53")
Cutout AxB	142.6x99 mm (5.61"x3.90")
Depth D+T	44+6.5 mm (1.73"+0.26")
Weight	0.6 Kg
Approvals	
CE	Radio Equipment Directive 2014/53/EU (RED)
DNV*	Yes
UL*	cULus: UL61010-1 / UL61010-2-201

* Scheduled for 2022



- 1 CAN Port 1
- 2 Power supply
- 3 Ethernet Port 1 (10/100 Mb)
- 4 USB Port
- 5 Ethernet Port 2 (10/100 Mb)
- 6 CAN Port 2
- 7 Expansion slot for plugin modules



Ordering Information

Model	Part Number	Description
XA5	+XA5U5P1	Outdoor HMI 5" PCAP Touch, sunlight-readable with bonding, IP67, 2x Ethernet, Wi-Fi, JMobile runtime